

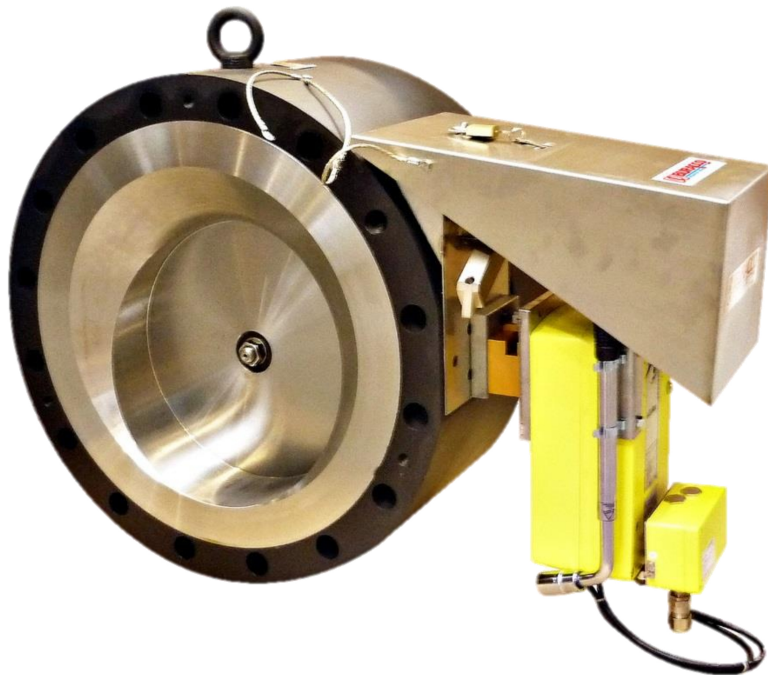
SEPARFEU-BS

TANK OUTLET CHECK VALVE

SEPARFEU-BS tank outlet valves are designed for fire protection coming out of storage tanks. Incorporated into the operating pipes, as close as possible to the tanks, they close on their own under the effect of gravity in the event of an abnormal increase in temperature. These valves meet the requirements of the Ministerial Decree of 09/11/1989.

TECHNOLOGY

- ✓ **Positive safety:** automatic closure by thermal fuse
- ✓ **Easy to handle and assemble**
- ✓ **Bolts protected by full body**
- ✓ **Metal / metal seal**
- ✓ **Pressure relief valve**
- ✓ **Compact size**
- ✓ **Lightweight**

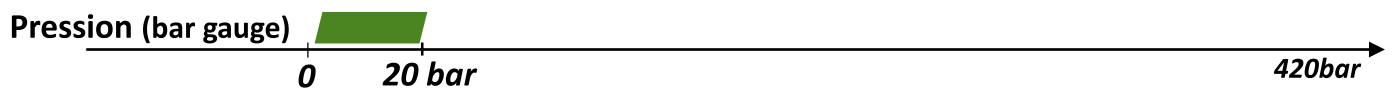


100% product testing to guarantee performance



A premium service through customer liaison and technical assistance

PERFORMANCE



The maximum pressures and temperatures depend on the pressure/temperature relationship and type of fluid.

	Body	Flap	Sealing surface
Material	<ul style="list-style-type: none"> - A350 LF2 / A105 / P295 GH - A240 316 / 316L - A240 304 / 304L - C95800 / C63200 	<ul style="list-style-type: none"> - A350 LF2 / A105 - A240 316 / 316L - A240 304 / 304L 	<ul style="list-style-type: none"> - Without overlay - Stellite® Gr. 6 - STAINLESS STEEL 316L

Design

- Designed in accordance with standard API 594

Seal


- In accordance with standard API 598

Approvals

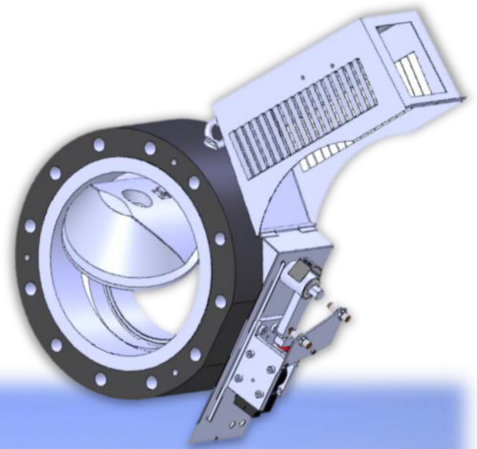
- ISO 10497
- BS 6755 Part 2
- API SPEC 6 FA
- SNEAP TUY.FO2.

- ATEX in accordance with standard 2014/34/UE Zone 1 or 21, Group 2, Category 2 G/D

DESIGN - OPTIONS

- Fail-safe :
- Remote control : by electro-servomotor, electromagnet, or pneumatic cylinder
- Fuse melting temperature 124°C, 138°C or 199°C
- Manual reset (others on request)
- Inductive limit switches
- Hydraulic or pneumatic progressive closure damping
- ATEX construction 
- Order conformity certificate / material certificate / pressure test certificate in accordance with standard EN 10204 types 2.1, 2.2, 3.1 and 3.2

 **End-users safety and conformity of your installations.**



www.buracco.com

 **SERVICES**

In order to meet your requirements in a timely fashion, our different departments and services work in close collaboration with our suppliers. We provide **premium service** through **customer support** and **technical assistance**.

Technical support

Research & Development

Customized solutions



Quality & Inspection

Continuous improvement

Logistics & Deliveries