

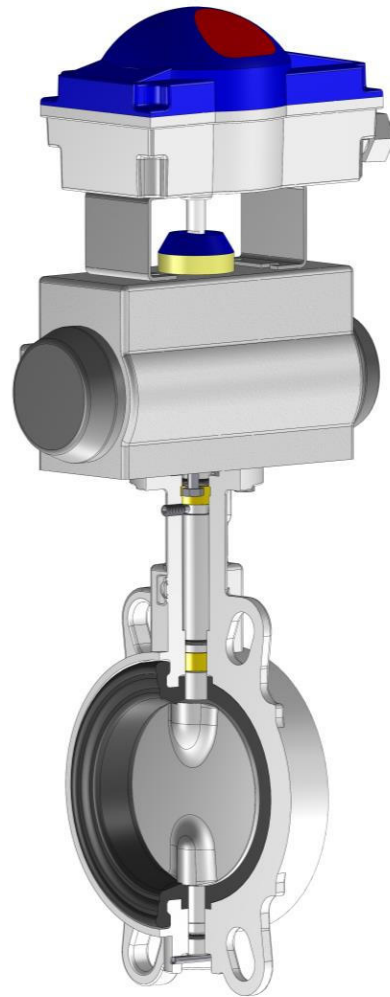
PROCESS-LINE

CUSTOMIZED VALVE

With our R&D department, our production units, and our customer support services all on a single site, Buracco has made product customization its speciality. The multitude of possible configurations of our PROCESS-LINE valves epitomize our ability to provide rapid and outstanding solutions to meet your requirements.

TECHNOLOGY

- ✓ **Notched** aluminium hand lever, can be **locked out**, ergonomic design
- ✓ Plate **standardised** in accordance with EN-ISO 5211
- ✓ **Epoxy** coated body for an **excellent corrosion resistance**
- ✓ Non-ejectable stem for **optimum security**
- ✓ High collar for insulation
- ✓ Hollow neck to **prevent seizing**
- ✓ **Self-lubricating bearings** for an **ideal shaft coaxiality** and **optimized torque**
- ✓ Seat anchored in the body and self-centering disc guarantee a **low and constant torque** and a **durable seal**
- ✓ Moulding and spherical machining of the seat / valve body contact zone for a **perfect seal**
- ✓ Seat bossed at valve stems to eliminate the risk of external leaks
- ✓ Secondary O-rings for **additional security**



Profiled disc for an **increased flow rate coefficient (Kv) (*)**



100% product testing to **guarantee performance**



A **premium service** through customer liaison and technical assistance

() Depending on operating conditions, the annual energy savings can be higher than the cost of the valve.*

PERFORMANCE



The maximum pressures and temperatures depend on the pressure/temperature relationship and type of fluid.

	Body	Stem and Pivot	Disc	Liner
Material	<ul style="list-style-type: none"> - A216 WCB - A352 LCC - A351 CF8M / CF3M - B148 C95800 - A995 Gr. 1A / 5A - ENJS1030 	<ul style="list-style-type: none"> - A182 Gr. F6A - Monel K500 / B143 - 17-4 PH / A564 Gr.630 	<ul style="list-style-type: none"> - Ductile Iron + Coatings - A351 CF8M / CF3M - B148 C95800 - A995 Gr. 1A / 5A 	<ul style="list-style-type: none"> - EPDM - NBR - VITON® - SILICONE - FLUCAST
Choice of material and configuration on demand				

Design

- Designed in accordance with standard EN593 et API 609

Seal

- In accordance with standard API 598 and EN12266-1

Approvals

- ACQPA
- ACS/FDA
- APSAD
- CERTIGAZ
- BV Marine

Associated Services

- Inspection Test Plan
- Non-destructive testing

OPTIONS

- Body designs with centering lugs, threaded lugs and double flanged
- All actuator types, assembled and tested by us
- Specific coatings
- Qualifications
- ATEX construction
- Order conformity certificate / material certificate / pressure test certificate in accordance with standard EN 10204 types 2.1, 2.2, 3.1 and 3.2
- Inspections ...



 **SERVICES**

In order to meet your requirements in a timely fashion, our different departments and services work in close collaboration with our suppliers. We provide **premium service** through **customer support** and **technical assistance**.



Technical support

Research & Development

Customized solutions



Quality & Inspection

Continuous improvement

Logistics & Deliveries



Energy savings

35%

Average increase in Kv coefficient compared to one-piece shaft design.