



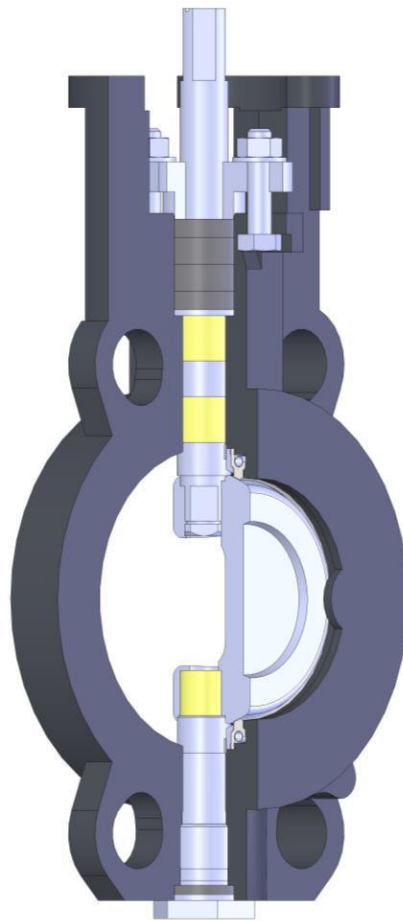
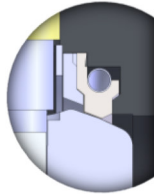
F-TECH

INDUSTRIAL COLD

Specifically designed to meet the needs and constraints of industrial refrigeration, the F-TECH range offers proven and recognized technical solutions.

TECHNOLOGY

Double Offset



- ✓ Plate **standardised** in accordance with EN-ISO 5211
- ✓ **Adjustable** stuffing box
- ✓ **Graphite** packing
- ✓ **Treaded bearings, without any maintenance**
- ✓ **Replacable seat** for an easy maintenance
- ✓ **Mechanical stop closure** for seat protection



Profiled disc for an **increased flow rate coefficient (*)**

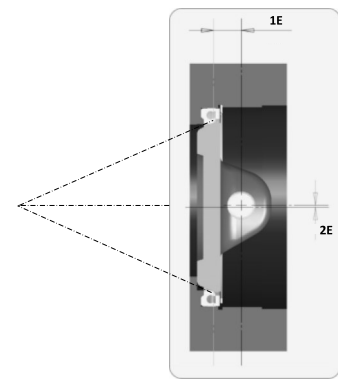


100% product testing to **guarantee performance**



A **premium service** through customer liaison and technical assistance

(*) Depending on operating conditions, **important annual energy savings**



PERFORMANCES



The maximum pressures and temperatures depend on the pressure/temperature relationship and type of fluid.

CONSTRUCTION

Body	Carbon steel		Stainless steel	
Seat	R-PTFE with 25% glass fibre		R-PTFE with 25% glass fibre	
Disc	SS A351 CF8M (DN50 to 125) – SS X21Cr13 (DN150 to 400)		Stainless steel A351 CF8M	
Packing	Graphite		Graphite	
Body type	Wafer	Lug	Wafer	Lug
Operation type	Aluminium hand lever, manual gear box, pneumatic and electric actuators			

Design

- Designed in accordance with standard EN 593
- Face to face in accordance with standard EN 558+A1 base 20
- Flange faces machining in accordance with standard EN 1092-1

Seal

- In accordance with standard EN 12266-1 Rate A / API598 PTFE seat unidirectional

Approval

- PED 2014/68/UE



Main options

- ATEX construction
- CF8M disc for cast steel body version DN150 to 250
- Stem and pivot in 1.4462 (U45N)
- RF, male, female, tongue, groove flanges machining
- Order conformity certificate / material certificate / pressure test report in accordance with standard EN 10204 types 2.1, 2.2 and 3.1



Wafer



Lug



CHARACTERISTICS

Components	Material	Description	Benefit
Body	A216 WCB	Excellent mechanical strength and corrosion resistant primary coating.	Increased safety for personnel and equipment
	A351 CF8M	Excellent corrosion resistance and low temperature resistance. This stainless steel grade permits food industry applications	
Seat	R-PTFE	Reinforced PTFE, R-PTFE, is a polymer which is essentially chemically inert and offers high temperature resistance.	Durable performance Corrosion resistance
Disc	A351 CF8M X21Cr13	These stainless steel grades have strong resistance to corrosion and extreme temperatures. CF8M is suited to food applications.	Large application range
Stem and Pivot	1.4021 / 1.4028 (SS 13% Cr) 1.4542 (17-4-PH)	Stems and pivots benefit from the excellent mechanical and corrosion resistance of these grades of stainless steels.	Lasting integrity of the shaft line
	1.4462 (U45N)	This material has an excellent corrosion resistance.	
Packing	GRAPHITE	This mineral material ensures perfect tightness.	Durable tightness
Bearings	THERMOPLASTIC COMPOSITE	Corrosion resistance and high operating cycles with zero maintenance.	Torque stability



Energy savings

19%

Average increase in Kv coefficient compared to one-piece shaft design.